

WSP™ Self-Primer Pump

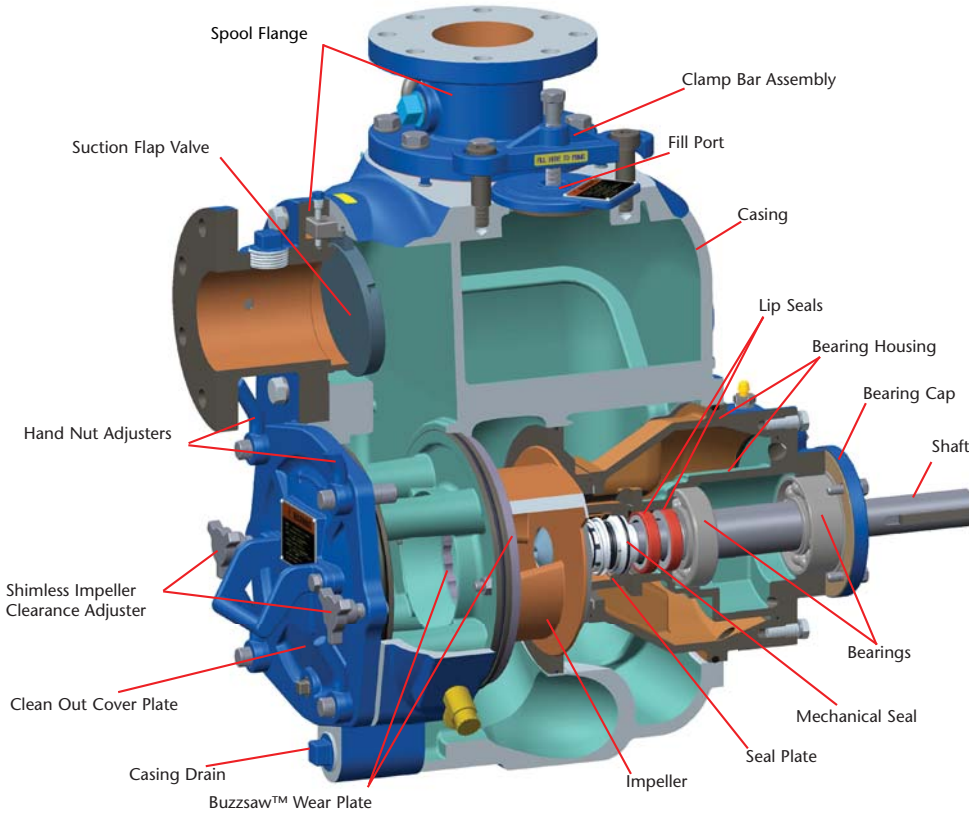
Solids Handling Self-Primer Pumps



Excellent
Engineering
Solutions



8-WSP • 8 inch (200 mm)
Head to 109 ft (33 m) & Flow to 2,620 GPM (595 m³/hr)



Optional Equipment and Materials

- Hi-Chrome, CD4MCu fitted
- Automatic air release valve
- 120V/240V casing heater
- High pump temperature shutdown kit
- Gauge kit
- NPT & DIN suction and discharge flanges
- Other elastomers available
- TC/TC seal faces

Seal Specifications

- Mechanical oil-lubricated
- Double floating
- Self-aligning
- Tungsten carbide rotating face
- Silicon carbide stationary face
- Stainless steel metal components

Maximum temperature of liquid pumped
180°F/83°C.

Note: Consult factory for applications exceeding maximum pressure and/or temperature indicated.

Pump Size	8 x 8 in (200 x 200 mm) ANSI/DIN		
Pump Casing	Ductile iron <ul style="list-style-type: none"> • Twice as strong as CI • Higher bursting pressure than CI • Longer wear life than CI 	Impeller	Open type, two vane Material: cast steel Max Solids Sphere: 3 in (76.2 mm) <ul style="list-style-type: none"> • Less brittle than ductile iron
Operating Pressure	Maximum 120 psi (827 kPa)	Impeller Shaft	17-4PH* SST <ul style="list-style-type: none"> • High strength • Corrosion resistance
Thrust Bearing	Open double ball	Bearing/Seal Cavity Lubrication	SAE No. 30 oil
Flanges	125# Cast iron ANSI or DIN	Gaskets	Buna-N, compressed synthetic fibers, vegetable fiber, PTFE, cork, and rubber
Wear Plate	Replaceable Ductile iron	O-Rings	Buna-N
Cover Plate	Removable/adjustable Ductile iron	Hardware	Plated steel/SST
Flap Valve	Neoprene with steel reinforcing ring	Pressure Release Valve	Brass
Bearing Housing	Ductile iron (wetted) Cast iron (inner)	Oil Level Sight Gauges	Bearing and seal cavity
Seal Plate	Cast iron	Net Weight	1300 lbs (590 kg)
Shaft Sleeve	17-4PH* SST	Shipping Weight	1400 lbs (635 kg)
Radial Bearing	Open double ball	Export Crate	48 ft ³ (1.4 m ³)

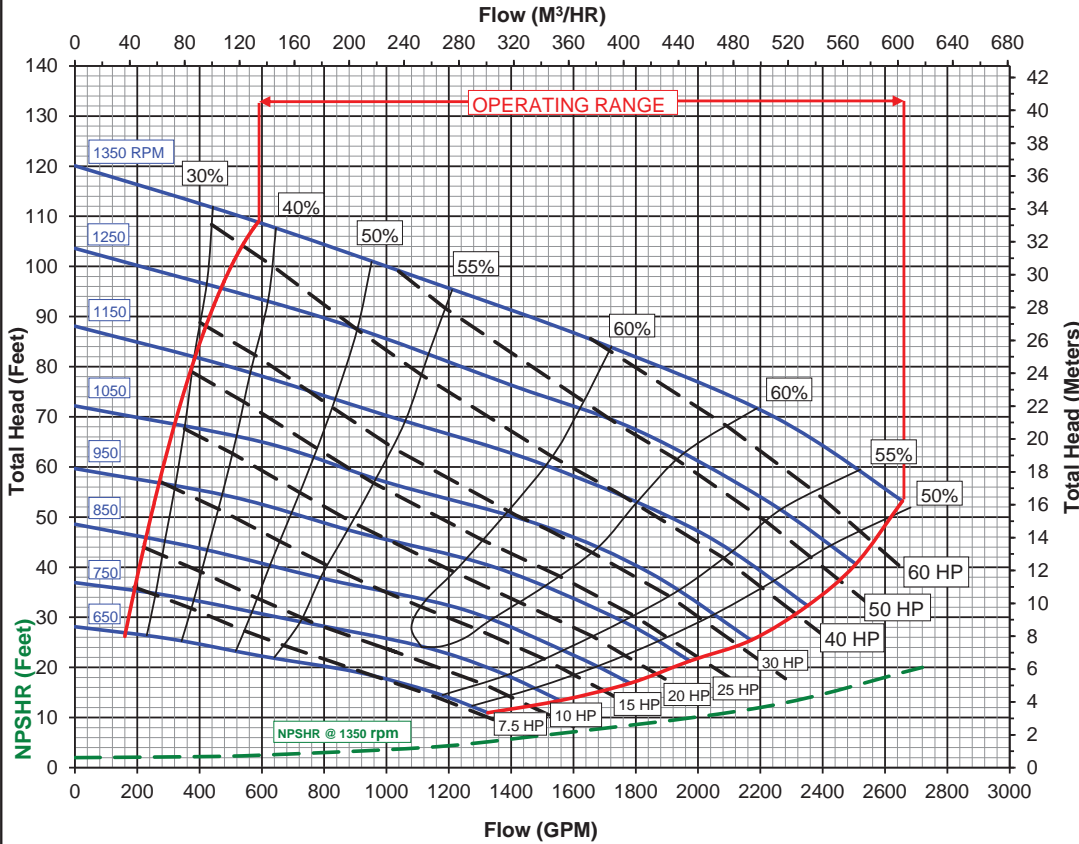
WSP™ Self-Primer Pump

Solids Handling Self-Primer Pumps

8 x 8 in. (200 x 200 mm) curve



440 W. 800 S. Salt Lake City, Utah 84110
Phone: (801) 359-8731 Fax: (801) 355-9303



Suction: 8"
Discharge: 8"
Impeller Diameter: 14.75"
Max. Solid Sphere: 3.00"

REPRIMING LIFTS	
RPM	FEET
650	9
750	12
850	15
950	17
1050	20
1150	21
1250	22
1350	23

Determine NPSHR prior to using repriming table. Do not use available suction lifts.

Clear Water Performance

$$BHP = \frac{GPM \times FT \times SG}{3960 \times \text{Efficiency}}$$

$$KW = \frac{M^3 / HR \times M}{367 \times \text{Efficiency}}$$



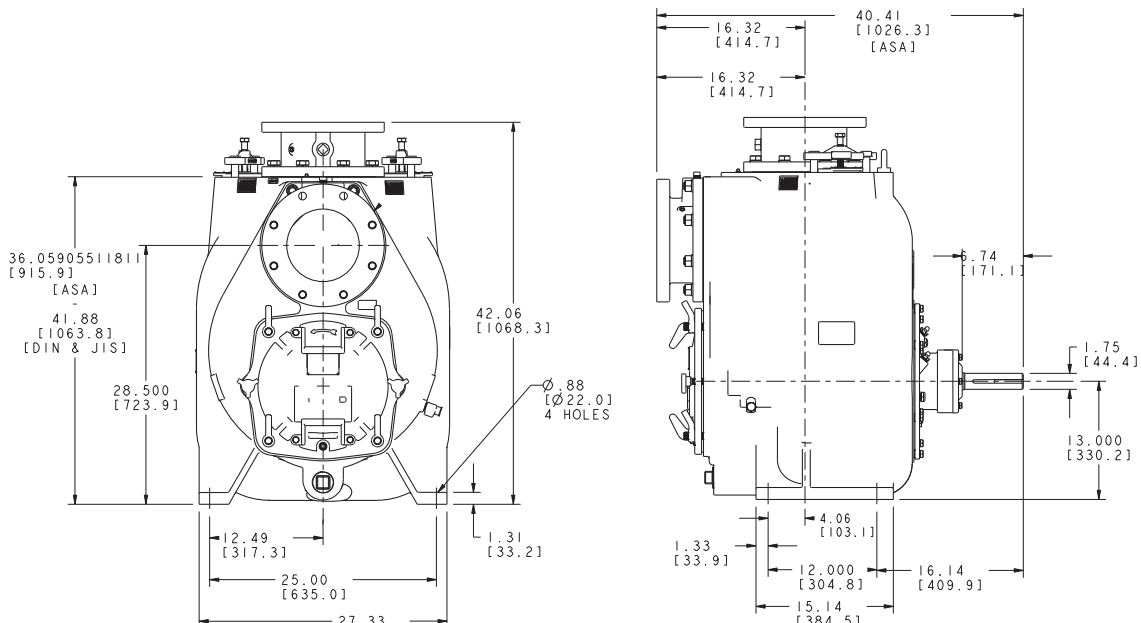
© Copyright All rights reserved 2002

Certified tests are performed using Hydraulic Institute acceptance level B.

November 2014

**RPM
VARIABLE**

8-WSP



Weir Specialty Pumps

440 West 800 South
Salt Lake City, UT 84101-2229
USA

Bulletin: 8-WSP Spec Sheet

Tel: 1 801 359 8731
Fax: 1 801 530 7828
email: info@weirsp.com
www.weirsp.com



281-612-WRXS (9797)

Excellent
Engineering
Solutions

