

# WSP™ Self-Primer Pump

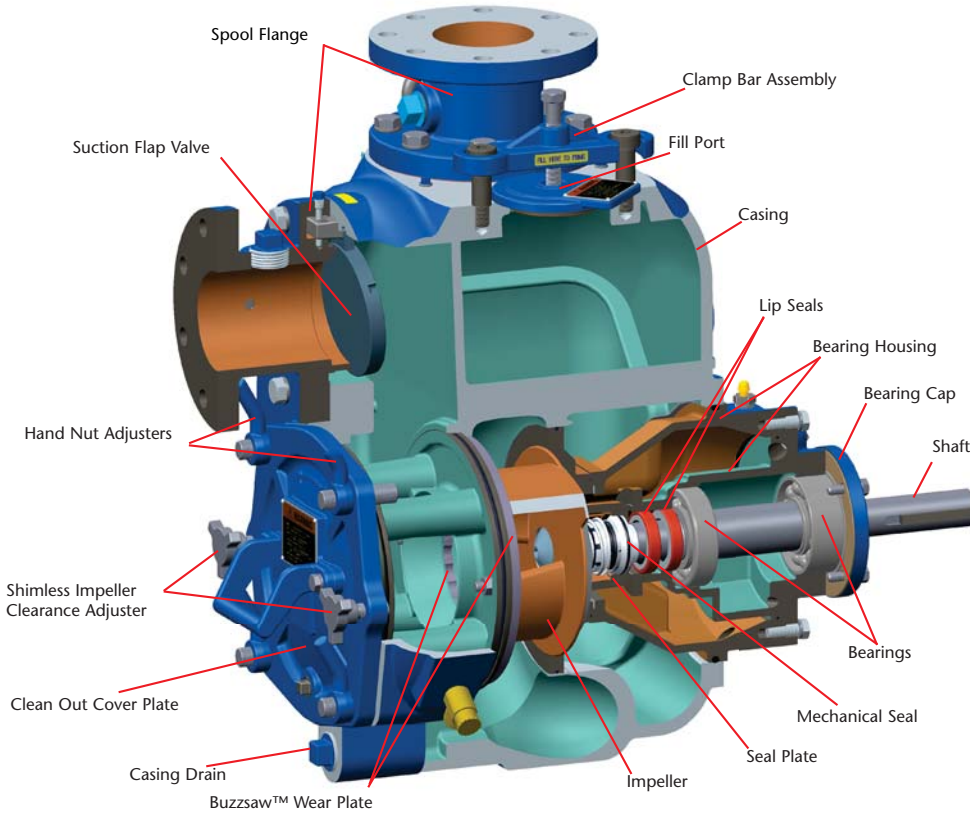
Solids Handling Self-Primer Pumps



Excellent  
Engineering  
Solutions



**4-WSP • 4 inch (100 mm)**  
Head to 119 ft (36 m) & Flow to 730 GPM (166 m<sup>3</sup>/hr)



### Optional Equipment and Materials

- Hi-Chrome, CD4MCu fitted
- Automatic air release valve
- 120V/240V casing heater
- High pump temperature shutdown kit
- Gauge kit
- NPT & DIN suction and discharge flanges
- Other elastomers available
- TC/TC seal faces

### Seal Specifications

- Mechanical oil-lubricated
- Double floating
- Self-aligning
- Silicone carbide rotating and stationary faces
- Stainless steel metal components

Maximum temperature of liquid pumped  
180°F/83°C.

*Note:* Consult factory for applications exceeding maximum pressure and/or temperature indicated.

Pump Size	4 x 4 in (100 x 100 mm) ANSI/DIN		
Pump Casing	Ductile iron <ul style="list-style-type: none"> <li>• Twice as strong as CI</li> <li>• Higher bursting pressure than CI</li> <li>• Longer wear life than CI</li> </ul>	Impeller	Open type, two vane Material: cast steel Max Solids Sphere: 3 in (76.2 mm) <ul style="list-style-type: none"> <li>• Less brittle than Ductile Iron</li> </ul>
Operating Pressure	Maximum 120 psi (827 kPa)	Impeller Shaft	17-4PH* SST <ul style="list-style-type: none"> <li>• High strength</li> <li>• Corrosion resistance</li> </ul>
Thrust Bearing	Open double ball	Bearing/Seal Cavity Lubrication	SAE No. 30 oil
Flanges	125# Cast iron ANSI or DIN	Gaskets	Buna-N, compressed synthetic fibers, vegetable fiber, PTFE, cork, and rubber
Wear Plate	Replaceable Carbon steel	O-Rings	Buna-N
Cover Plate	Removable/adjustable Ductile iron	Hardware	Plated steel/SST
Flap Valve	Neoprene with steel reinforcing ring	Pressure Release Valve	Brass
Bearing Housing	Ductile iron (wetted) Cast iron (inner)	Oil Level Sight Gauges	Bearing and seal cavity
Seal Plate	Cast iron	Net Weight	625 lbs (283 kg)
Shaft Sleeve	17-4PH* SST	Shipping Weight	675 lbs (305 kg)
Radial Bearing	Open single ball	Export Crate	25 ft <sup>3</sup> (0.7 m <sup>3</sup> )

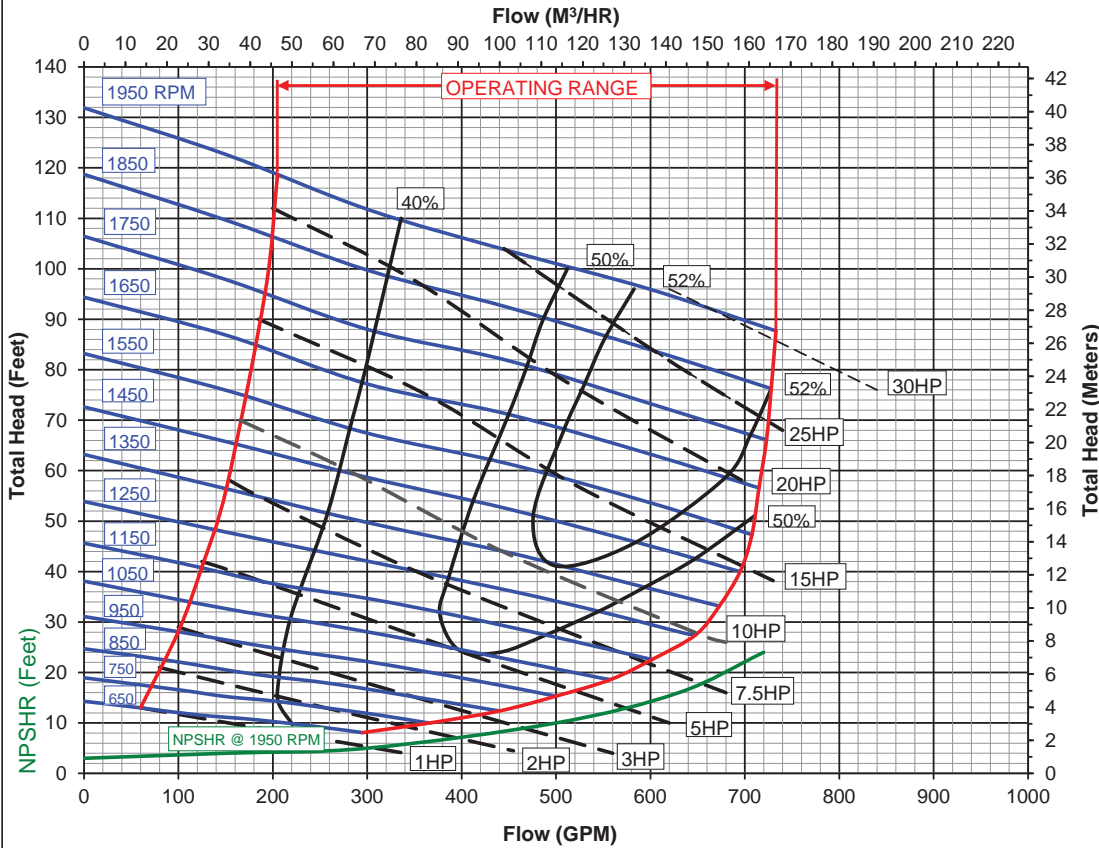
# WSP™ Self-Primer Pump

Solids Handling Self-Primer Pumps

4 x 4 in. (100 x 100 mm) curve



440 W. 800 S., Salt Lake City, Utah 84110  
Phone: (801) 359-8731 Fax: (801) 355-9303



Suction: 4"  
Discharge: 4"  
Impeller Diameter: 9.75"  
Max. Solid Sphere: 3.00"

REPRIMING LIFTS	
RPM	FEET
650	5
750	8
850	16
950	19
1050	22
1150	24
1250-1950	25

Determine NPSHR prior to using repriming table. Do not use available suction lifts.

### Clear Water Performance

$$BHP = \frac{GPM \times FT \times SG}{3960 \times \text{Efficiency}}$$

$$KW = \frac{M^3 / HR \times M \times SG}{367 \times \text{Efficiency}}$$



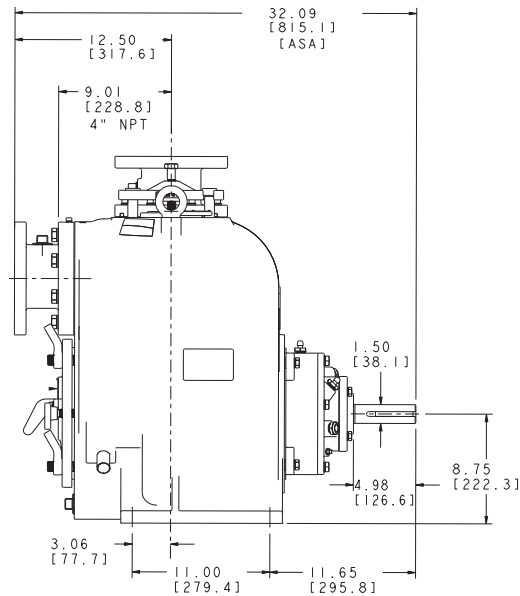
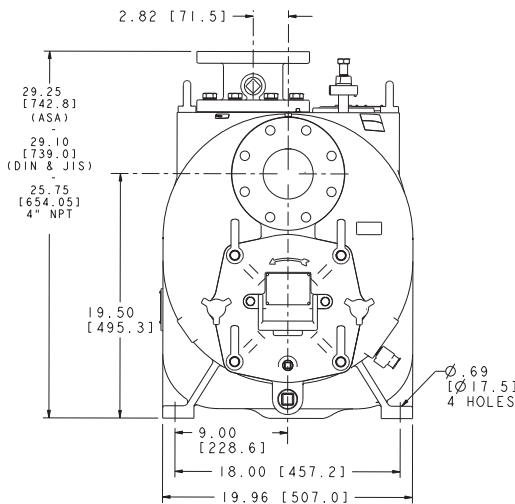
© Copyright All rights reserved 2002

Certified tests are performed using Hydraulic Institute acceptance level B.

November 2014

**RPM  
VARIABLE**

**4-WSP**



### Weir Specialty Pumps

440 West 800 South  
P.O. Box 209 (84110-0209)  
Salt Lake City, UT 84101  
USA

Bulletin: 4-WSP Spec Sheet

Tel: 1 801 359 8731  
Fax: 1 801 530 7828  
email: info@weirsp.com  
www.weirsp.com



**281-612-WRXS (9797)**

Excellent  
Engineering  
Solutions

